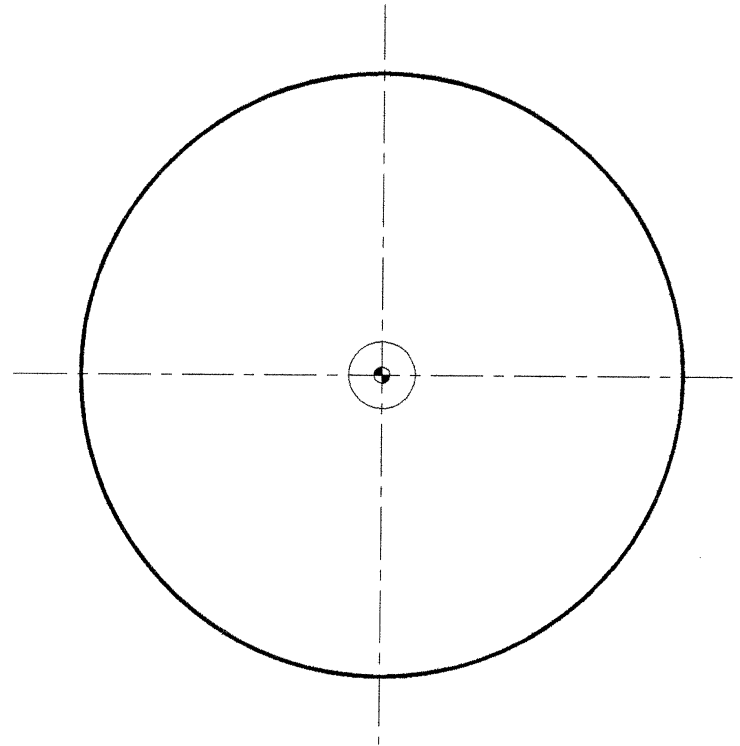
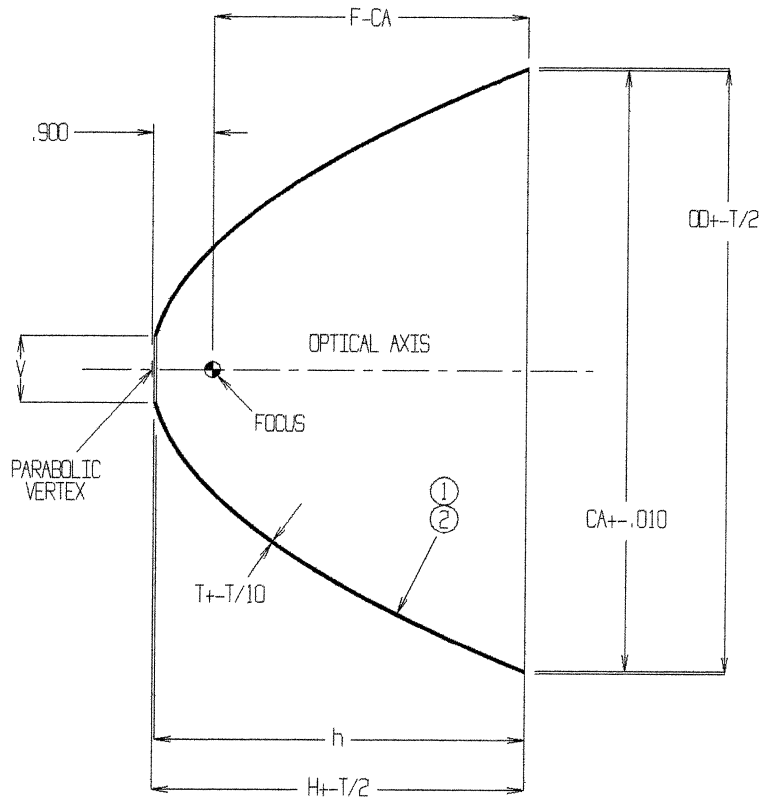


ALL CONCEPTS CONTAINED WITHIN THIS DRAWING ARE PROPRIETARY TO PHOENIX ELECTROFORMED PRODUCTS, INC.  
AND MAY NOT BE CONVEYED TO THIRD PARTIES WITHOUT WRITTEN CONSENT

REVISIONS				
ZONE	REV	DESCRIPTION	DATE	APPROVED



.12	.670	7.668	7.745	4.088	4.052	.035	3.183
.11	2.750	7.000	7.067	2.915	2.878	.030	2.503
.10	2.250	9.000	9.075	5.315	5.273	.035	4.725
.09	2.000	9.000	9.075	5.387	5.347	.035	4.725
.08	1.750	9.000	9.075	5.451	5.412	.035	4.725
.07	1.250	9.000	9.075	5.554	5.516	.035	4.725
.06	1.000	9.000	9.075	5.592	5.556	.035	4.725
.05	2.000	7.000	7.067	3.159	3.125	.030	2.503
.04	1.750	7.000	7.067	3.223	3.190	.030	2.503
.03	1.250	7.000	7.067	3.326	3.294	.030	2.503
.02	1.000	7.000	7.067	3.364	3.333	.030	2.503
.01	2.250	7.000	7.090	3.098	3.051	.040	2.503
#	V	CA	CD	H	h	T	F-CA

- ① SURFACE FINISH 80-50 SCRATCH-DIG PER MIL-D-13830A
- ② AVAILABLE REFLECTIVE ENHANCEMENT COATINGS:
- AU2 ELECTRO-DEPOSITED GOLD
- AF VACUUM DEPOSITED ALUMINUM / MAGNESIUM FLUORIDE (MgF<sub>2</sub>) OVERCOAT
- AD VACUUM DEPOSITED ALUMINUM / QUARTZ (SiO<sub>2</sub>) OVERCOAT
- RH ELECTRO-DEPOSITED BRIGHT RHODIUM

PARABOLIC EQUATION  
 $Y^2 = 4FX$        $F = .900$

UNLESS OTHERWISE SPECIFIED TOLERANCES ARE: DIMENSIONS IN INCHES		MATERIAL ELECTROFORMED NICKEL		<b>PHOENIX</b> ELECTROFORMED PRODUCTS, INC.	
FINISH 63 ✓ UNLESS OTHERWISE SPECIFIED		CONTRACT NO.			
FRACTIONS: .XX v. .12    .XXX v. .005 DECIMALS: .XX v. .12    .XXX v. .005		APPROVALS	DATE	TITLE PARABOLIC REFLECTOR	
DO NOT SCALE DRAWING		DRAWN LB	12-13-07	PAR9	
DESIGN ACTIVITY		CHECKED		SIZE	CAGE CODE
		ENGR		DWG NO	PA9
				SCALE	SHEET